

# Bluetooth Passive Infrared sensor



## SPECIFICATION

The BR1819P-B-D-BLE-GE uses PIR motion detector architecture and passive infrared (PIR) technology for improved detection coverage for high bay applications.

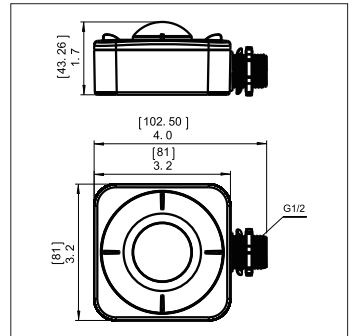
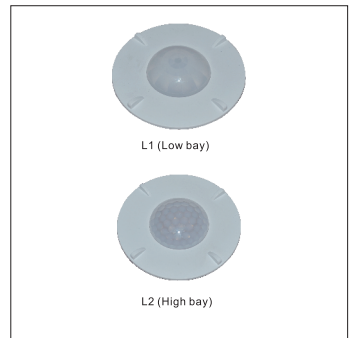


## OVERVIEW

- PIR sensor.
- Bluetooth® SIG mesh.
- High-End Trim, Zoning, Continuous Bi-level Dimming.
- LED Motion indicator.
- Mounting height up to 40 ft .
- 360° coverage pattern.
- Line Voltage connector.
- Technology Partner GEBC.

## FEATURES AND BENEFITS

- Bluetooth to 0-10V signal converter, Bluetooth® mesh network.
- Built-in 20mA 0-10V signal output.
- Mesh network, which has a much longer control distance, transmits received signals to neighboring devices.
- All devices on 0-10V line are broadcast controlled by mobile application.
- In typical outdoor environment, the typical range for wireless communication is 164ft(50m).
- Actual range is dependent on field installation.
- Available with button reset(press the button of sensor for 5 seconds) and remote reset(press "RESET"+" ON/OFF" buttons in sequence).
- On-board antenna.

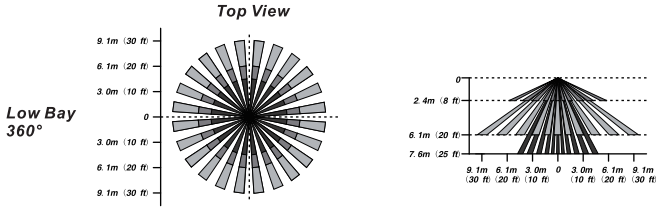


## TECHNICAL DATA

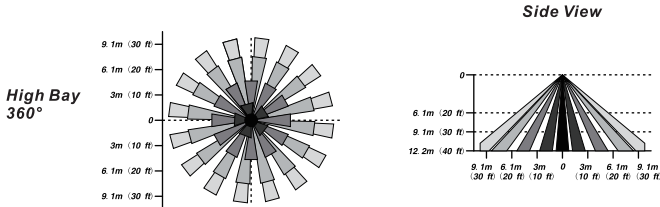
Motion Sensing	Passive IR
Input Power	120/277VAC 50/60Hz
Control Output	0-10V,max 25mA sinking current
Maximum load	Resistive/Tungsten - 600W@120V Electronic Ballast - 800W@120V/1200W@277V
Detection angle	360°
Len L1	Max.detection radius 30ft; Max.mounting height 25ft
Len L2	Max.detection radius 30ft; Max.mounting height 40ft
Operating temperature	-40°F ~ +167°F (-40°C ~ +75°C)
Max Bluetooth Range	164ft(50m)
Warranty	5years

# SENSOR COVERAGE

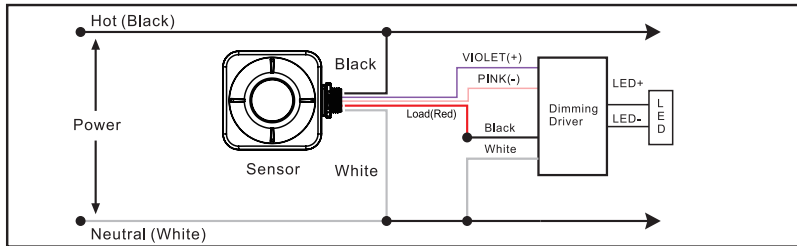
## L1 Lens



## L2 Lens



# WIRING DIAGRAMS



# ORDERING INFORMATION

BRI819P-B-D-BLE-GE

Bluetooth Passive Infrared sensor

