

3PIN Receptacle Bi-level Bluetooth PIR Sensor



GEBC Bluetooth®



OVERVIEW

ANT-6-4R-BLE-GE uses PIR motion detector architecture and passive infrared (PIR) technology for improved detection Coverage for high bay applications.

It utilizes a Bluetooth® Low Energy (BLE) mesh network. Dim levels and schedules can be set through GEBC iOS app.

FEATURES & SPECIFICATIONS

Construction

- ANT-6-4R-BLE-GE provides multi-level wireless lighting control based on motion and daylight.
- Constructed of white/black PC.
- PIR motion sensor can be configured as an occupancy or occupancy and daylight sensor.

Electrical

- ANT-6-4R-BLE-GE utilizes a Bluetooth® Low Energy (BLE) mesh network. Dim levels and schedules can be set through GEBC iOS app.
- 360 degree PIR motion sensor can be configured as an occupancy sensor. Occupancy sensor turns lights on automatically when motion is detected and turns lights off automatically after the area is vacated.
- Programmable settings include time delays and brightness and can be set through GEBC iOS app.

- Features such as parameter profiles, manual dim control, and real-time feedback from the sensor can speed up configuration and provide custom user control.
- Max Bluetooth® range is 164'(50m) line of sight and highly dependent on the integration of fixtures, surrounding environment. It is recommended to conduct testing for range accuracy.
- Input Voltage | Current Consumption: 12-24 VDC | 50 mA.

Installation

- 3PIN design, Low Voltage Connector, match with Sharkward ANT-5-4S.
- PIR detection is 360° coverage pattern and is best suited for areas with a clear line of sight and good air circulation.

- Operating temperature range of -20°C to +60°C.
- Max mounting Height: 40ft(12m).
- Available with magnetic reset(Touch the side part of sensor for 5 seconds) and remote reset(press "RESET" + "ON/OFF" buttons in sequence).

Warranty

- 5-years limited warranty.

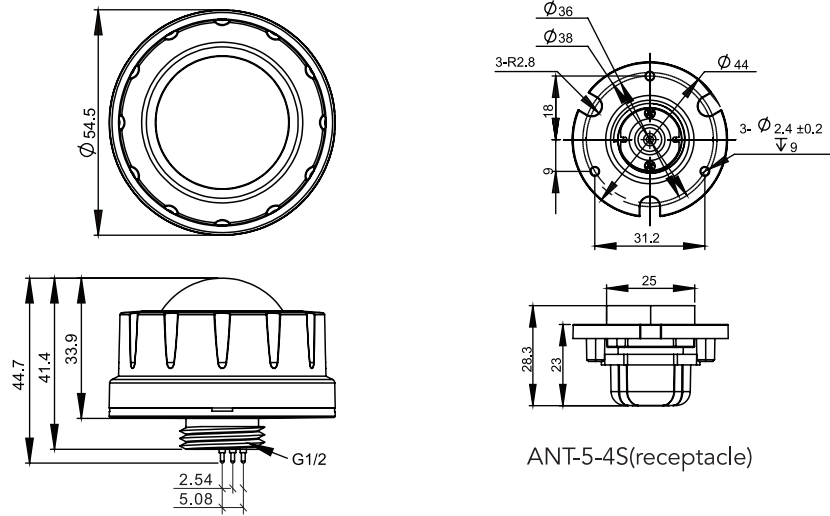
Listings

- FCC
- ETL
- DLC
- Bluetooth®
- Declaration ID: D062134

ORDERING GUIDE

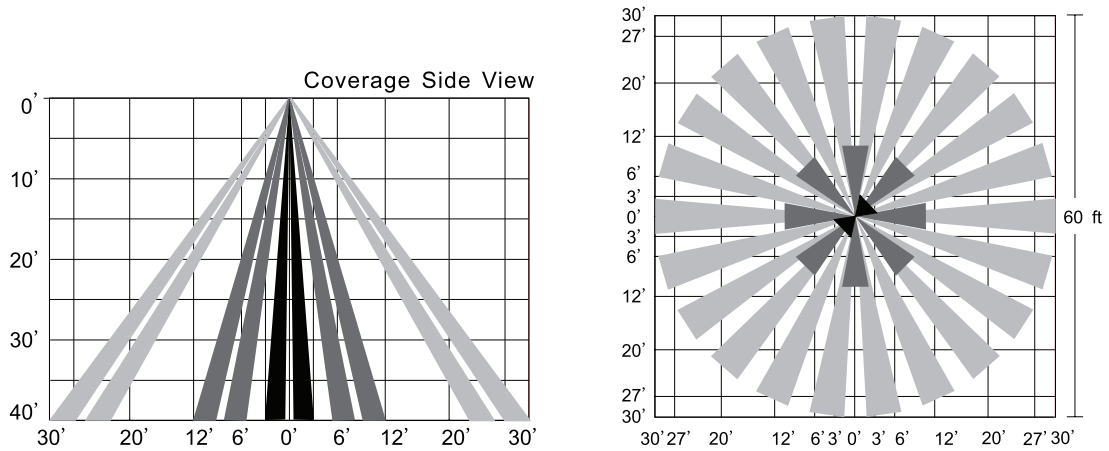
Description	Part Number
12-24V 0-10V 3PIN Receptacle Bi-level Bluetooth PIR Sensor	ANT-6-4R-BLE-GE

DIMENSIONS AND APPEARANCE



Unit:mm

SENSOR COVERAGE



WIRING DIAGRAM

