

DC Wireless Fixture Controller



GEBC Bluetooth®



OVERVIEW

ANT-11-CON-BLE-GE allows for 0-10v dimming, and is made to fit into a bluetooth mesh system.

It utilizes a Bluetooth® Low Energy (BLE) mesh network. Dim levels and schedules can be set through GEBC iOS app.

FEATURES & SPECIFICATIONS

Construction

- ANT-11-CON-BLE-SR is suitable for a variety of indoor and outdoor applications. It comes with Low Voltage Connector, and is IP 65 rated.
- Constructed of white/black PC.
- This device can be powered by 12V auxiliary power from dim-to-off LED driver for ease of setup and operation.

Electrical

- ANT-11-BLE-GE utilizes a Bluetooth® Low Energy (BLE) mesh network. Dim levels and schedules can be set through GEBC iOS app.
- Programmable settings include time delays and brightness and can be set through GEBC iOS app.

- Features such as parameter profiles, manual dim control, and real-time feedback from the sensor can speed up configuration and provide custom user control.
- Max Bluetooth® range is 164'(50m) line of sight and highly dependent on the integration of fixtures, surrounding environment. It is recommended to conduct testing for range accuracy.
- Input Voltage | Current Consumption: 10-14 VDC | 50 mA.

Installation

- Low voltage connector, match with TE 2343403-1.
- Operating temperature range of -40°C to +70°C.

- Available with magnetic reset(Touch the top part of sensor for 5 seconds) and remote reset(press "RESET" + "ON/OFF" buttons in sequence).

Warranty

- 5-years limited warranty.

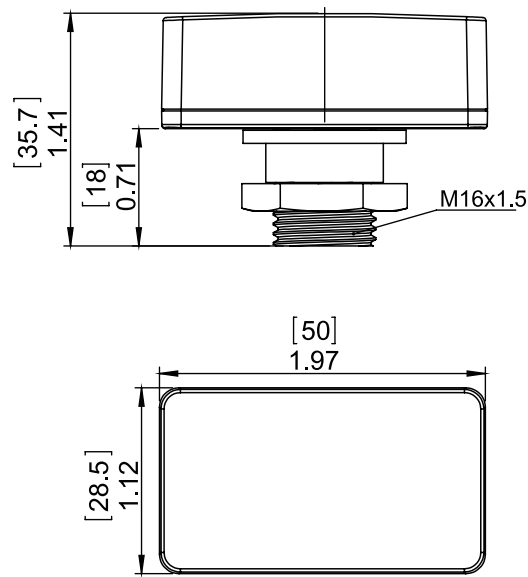
Listings

- FCC
- ETL
- DLC
- Bluetooth®
- Declaration ID: D062134

ORDERING GUIDE

Description	Part Number
10-14V 0-10V Wireless Fixture Controller	ANT-11-CON-BLE-GE

DIMENSIONS AND APPEARANCE



unit:mm

WIRING DIAGRAM

