

12-24V PIR Bluetooth Motion Sensor with Longer 3PIN



GEBC
Bluetooth®

OVERVIEW

ANT-6-4H-BLE-GE uses PIR motion detector architecture and passive infrared (PIR) technology for improved detection coverage for high bay applications.

It utilizes a Bluetooth® Low Energy (BLE) mesh network. Dimming levels and schedules can be set through GEBC app.

FEATURES & SPECIFICATIONS

Construction

- ANT-6-4H-BLE-GE provides multi-level wireless lighting control based on motion and daylight.
- Constructed of white/black PC.
- PIR motion sensor can be configured as an occupancy or occupancy and daylight sensor.

Electrical

- ANT-6-4H-BLE-GE utilizes a Bluetooth® Low Energy (BLE) mesh network. Dimming levels and schedules can be set through GEBC app.
- 360 degree PIR motion sensor can be configured as an occupancy sensor. Occupancy sensor turns lights on automatically when motion is detected and turns lights off automatically after the area is vacated.
- Programmable settings including time delay and brightness can be set through GEBC app.

- Features such as parameter profiles, manual dim control, and real-time feedback from the sensor can speed up configuration and provide custom user control.
- Max Bluetooth® range is 164ft(50m) line of sight and highly dependent on the integration of fixtures, surrounding environment. It is recommended to conduct testing for range accuracy.
- Input Voltage | Current Consumption: 12-24 VDC | 50 mA.

Installation

- 3PIN design, low voltage connector, match with Sharkward ANT-5-16S3.
- PIR detection is 360° coverage pattern and is best suited for areas with a clear line of sight and good air circulation.

- Operating temperature range of -20°C to +70°C.
- Max mounting Height: 40ft(12m).
- Available with magnetic reset(Touch the side part of sensor for 5 seconds) and remote reset(press "RESET" + "ON/OFF" buttons in sequence).

Warranty

- 5 years warranty.

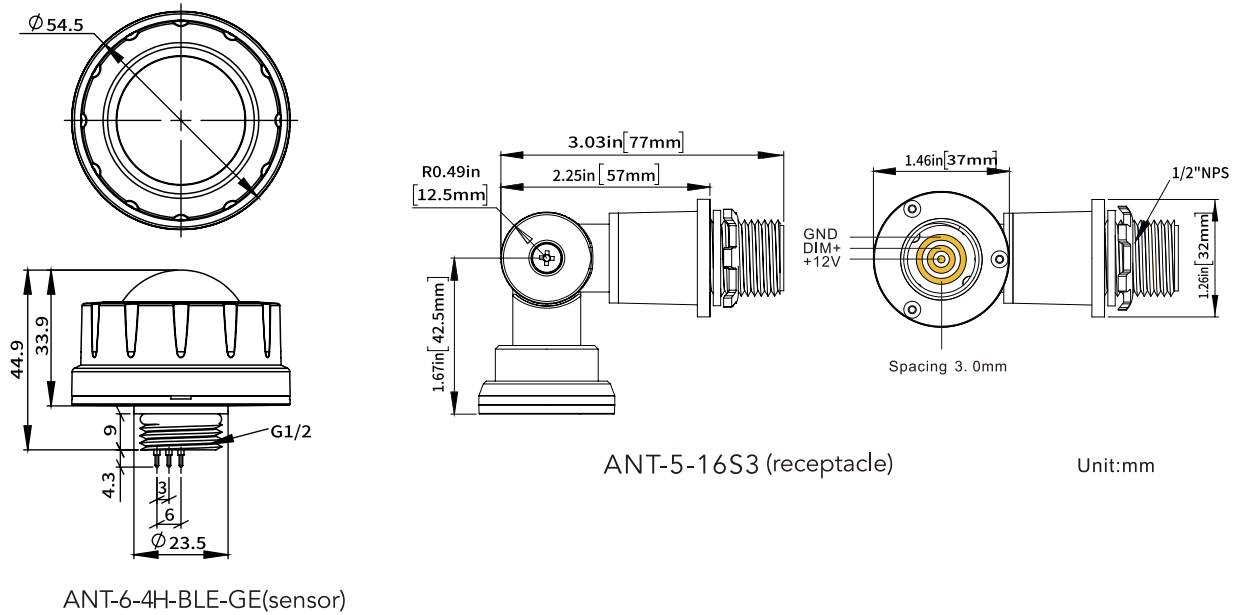
Listings

- FCC ID: 2AVMOGE01
- ETL
- cUL
- DLC
- Bluetooth®
- Declaration ID: D062134

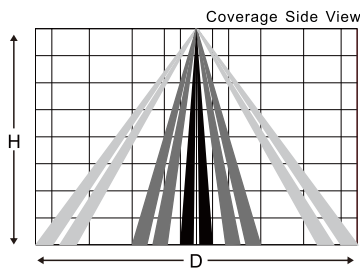
ORDERING GUIDE

Description	Part Number
12-24V 0-10V 3PIN Receptacle Bi-level Bluetooth PIR Sensor	ANT-6-4H-BLE-GE
3PIN Receptacle	ANT-5-16S3

DIMENSIONS AND APPEARANCE



SENSOR COVERAGE



Height H(ft)	Rang Diameter(D)			
	Sensitivity 100%(ft)	Sensitivity 75%(ft)	Sensitivity 50%(ft)	Sensitivity 25%(ft)
40	40	20	0	0
30	50	40	5	0
20	40	40	20	10
10	40	40	40	20

- Minor Motion
- Major Motion

Maximum mounting use 40ft.
 Recommend mounting use 30-35ft.
 The detection area for movement sensor can be roughly divided into two parts:
 Minor movement (person moving < 3.0'/s or 0.9m/s)
 Major movement (person moving > 3.0'/s or 0.9m/s)

WIRING DIAGRAM

