

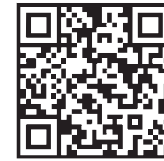
12-24V Side Mounted Plug and Play Motion Sensor



GEBC Bluetooth®

Download on the App Store

google play



OVERVIEW

ANT-703P-C-BLE-GE uses PIR motion detector architecture and passive infrared (PIR) technology for improved detection coverage for high bay applications.

It utilizes a Bluetooth® Low Energy (BLE) mesh network. Dimming levels and schedules can be set through GEBC app.

FEATURES & SPECIFICATIONS

Construction

- ANT-703P-C-BLE-GE provides multi-level wireless lighting control based on motion and daylight.
- Constructed of white/black PC.
- PIR motion sensor can be configured as an occupancy or occupancy and daylight sensor.

Electrical

- ANT-703P-C-BLE-GE utilizes a Bluetooth® Low Energy (BLE) mesh network. Dimming levels and schedules can be set through GEBC app.
- 360 degree PIR motion sensor can be configured as an occupancy sensor. Occupancy sensor turns lights on automatically when motion is detected and turns lights off automatically after the area is vacated.
- Programmable settings including time delay and brightness can be set through GEBC app.

- Features such as parameter profiles, manual dim control, and real-time feedback from the sensor can speed up configuration and provide custom user control.
- Max Bluetooth® range is 130ft(40m) line of sight and highly dependent on the integration of fixtures, surrounding environment. It is recommended to conduct testing for range accuracy.
- Input Voltage | Current Consumption: 12-24 VDC | 50 mA.

Installation

- Plug in & play design, low voltage connector, match with ANT-5-21B .
- PIR detection is 360° coverage pattern and is best suited for areas with a clear line of sight and good air circulation.

- Operating temperature range of -20°C to +70°C.
- Max mounting Height: 40ft(12m).
- Available with magnetic reset(Touch the top part of sensor for 5 seconds) and remote reset(press "RESET" + "ON/OFF" buttons in sequence).

Warranty

- 5 years warranty.

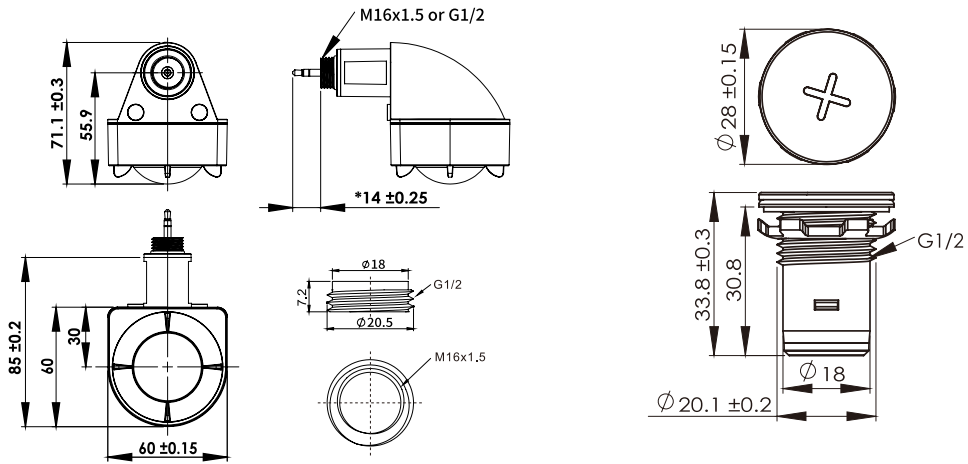
Listings

- FCC ID: 2AVMOGE01
- ETL
- DLC
- Bluetooth®
- Declaration ID: D062134

ORDERING GUIDE

Description	Part Number
12-24V 0-10V DC 3.5 PIN Plug and Play Bluetooth PIR Sensor	ANT-703P-C-BLE-GE
Single G1/2 Nut Fixed 3.5mm Audio Jack Receptacle	ANT-5-21B

DIMENSIONS AND APPEARANCE



ANT-703P-A-BLE-GE(sensor)

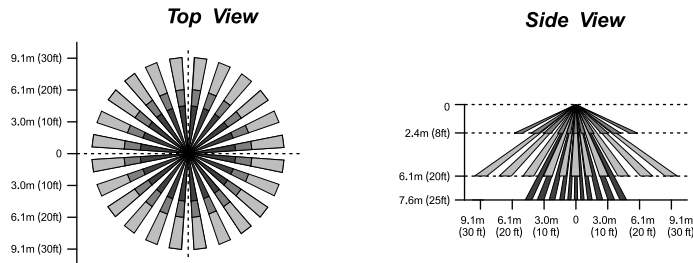
ANT-5-21B(connecting base)

Unit:mm

SENSOR COVERAGE

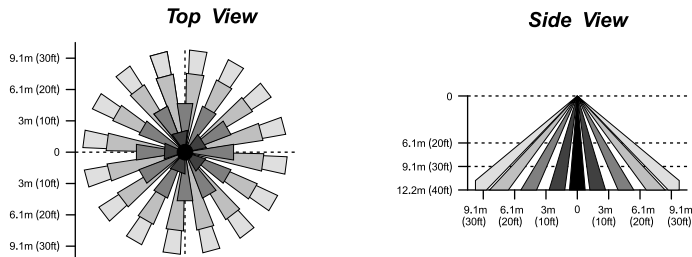
L7 Lens

Low Bay
360°



L8 Lens

High Bay
360°



WIRING DIAGRAM

