

## 120-277V Wall Mounted PIR Bluetooth Motion Sensor



GEBC Bluetooth®



### OVERVIEW

BRI-VOS201-BLE-GE is a wall mounted PIR sensor. This device communicates wirelessly via Bluetooth Mesh technology allowing for wireless control of luminaires. It can be mounted in any standard single-gang wall box. It utilizes a Bluetooth® Low Energy (BLE) mesh network.

### FEATURES & SPECIFICATIONS

#### Construction

- The BRI-VOS201-BLE-GE connects to a Bluetooth mesh network and is accessed via GEBC APP for initial design, setup and scheduling, as well as subsequent parameter adjustments.
- Constructed of white PC

#### Electrical

- BRI-VOS201-BLE-GE utilizes a Bluetooth® Low Energy (BLE) mesh network.
- 180 degree PIR Motion sensor can be configured as an occupancy sensor. This device communicates wirelessly via Bluetooth Mesh technology allowing for wireless control of luminaires.
- Max Bluetooth® range is 100ft(30m) line of sight and highly dependent on the integration of

fixtures, surrounding environment. It is recommended to conduct testing for range accuracy.

- Input Voltage | Current Consumption: 120-277VAC.

#### Installation

- Wall mounted. Can be mounted in any standard Wall Box. Max Range 30ft@ 4ft mounting height (9m@1.2m mounting height)
- PIR detection is 180° coverage pattern and it is best suited for areas with a clear line of sight and good air circulation.
- Operating temperature range of -20°C to +70°C.

#### Warranty

- 5 years warranty.

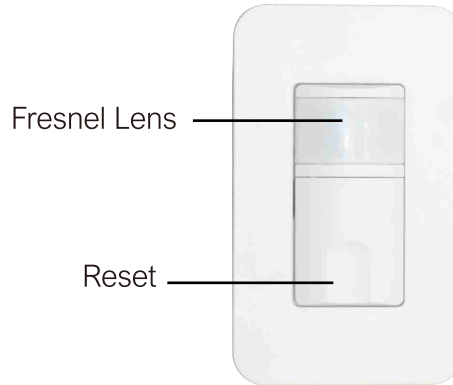
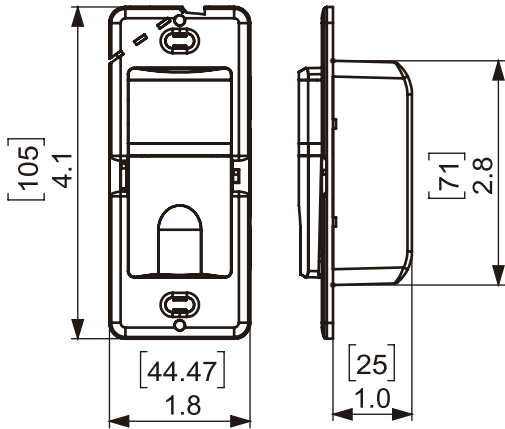
#### Listings

- FCC ID: 2AVMOGE01
- ETL
- cUL
- DLC
- Bluetooth®
- Declaration ID: D062134

### ORDERING GUIDE

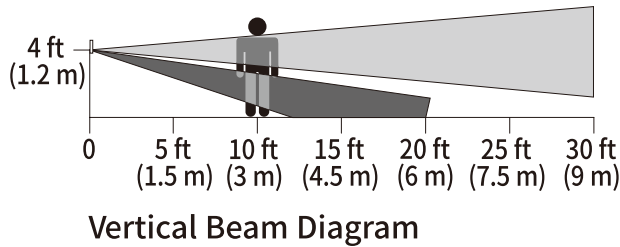
Description	Part Number
120-277V Wall Mounted PIR Bluetooth Motion Sensor	BRI-VOS201-BLE-GE

## DIMENSIONS AND APPEARANCE

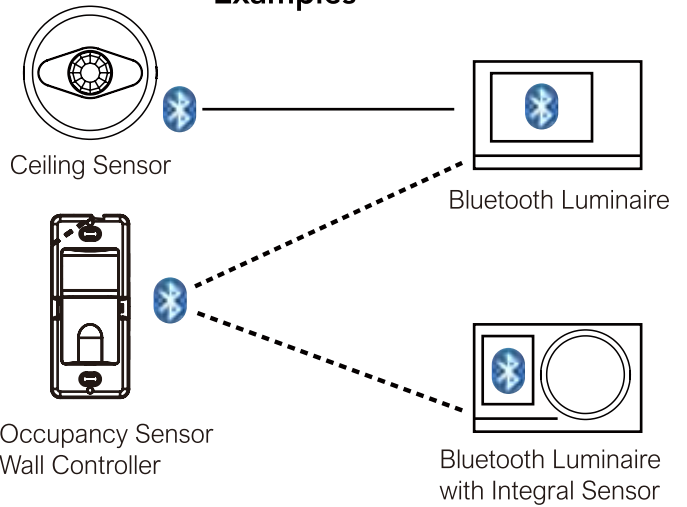


Unit:mm/in

## SENSOR COVERAGE



### Examples



## WIRING DIAGRAM

### Without Neutral

