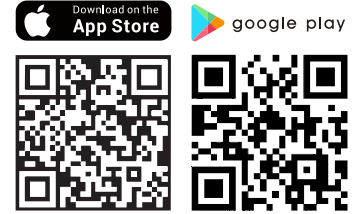


## DC Wireless Fixture Controller



GEBC Bluetooth®



### OVERVIEW

SK104-CON-BLE-GE allows for 0-10v dimming, and it is made into a bluetooth mesh system. With SK104-CON-BLE-GE, the fixture will be CCT tunable, rather than CCT selectable. You don't need to change the single 0-10V driver to dual 0-10V driver.

It utilizes a Bluetooth® Low Energy (BLE) mesh network. Dimming levels and schedules can be set through GEBC app.

### FEATURES & SPECIFICATIONS

#### Construction

- SK104-CON-BLE-GE is suitable for a variety of indoor and outdoor applications. It comes with Low Voltage Connector, and is IP 65 rated.
- Constructed of black PC.
- This device can be powered by 12V auxiliary power from dim-to-off LED driver for ease of setup and operation.

#### Electrical

- SK104-CON-BLE-GE utilizes a Bluetooth® Low Energy (BLE) mesh network. Dimming levels and schedules can be set through GEBC app.
- Programmable settings including time delay and brightness can be set through GEBC app.

- Features such as parameter profiles, manual dim control, and real-time feedback from the sensor can speed up configuration and provide custom user control.
- Max Bluetooth® range is 100ft(30m) line of sight and highly dependent on the integration of fixtures, surrounding environment. It is recommended to conduct testing for range accuracy.
- Input Voltage | Current Consumption: 10-14 VDC | 50 mA.

#### Installation

- IP65 waterproof design, low voltage.
- Operating temperature range of -40°C to +70°C.

- Available with magnetic reset (Touch the top part of sensor for 5 seconds) and remote reset (press "RESET" + "ON/OFF" buttons in sequence).

#### Warranty

- 5 years warranty.

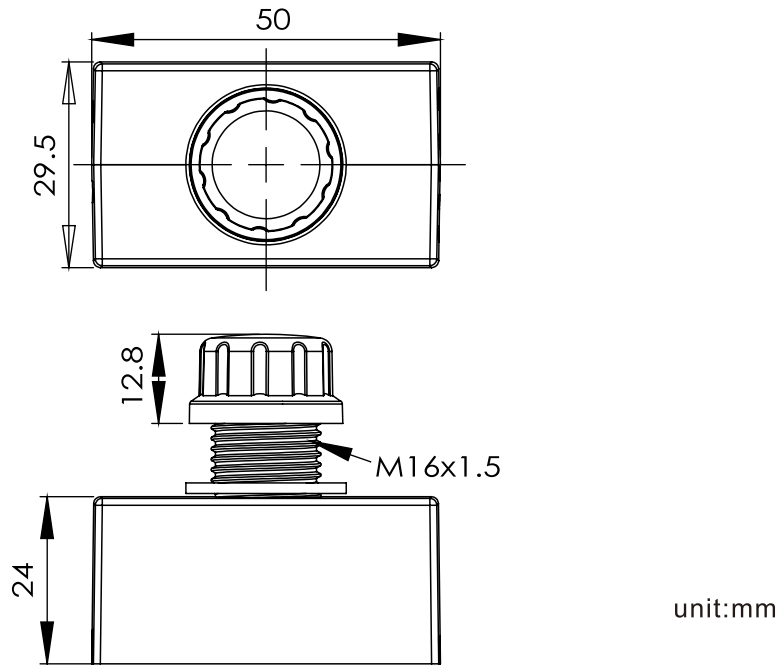
#### Listings

- FCC ID: 2AVMOGE01
- ETL
- DLC
- Bluetooth®
- Declaration ID: D062134

### ORDERING GUIDE

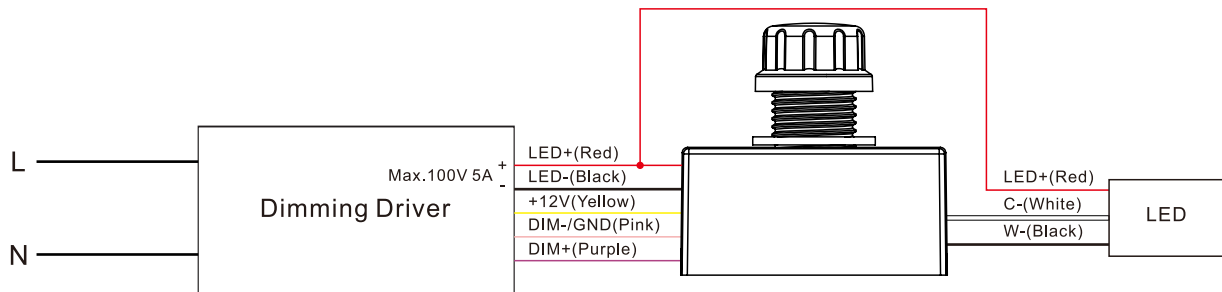
Description	Part Number
DC Wireless Tunable Fixture Controller	SK104-CON-BLE-GE

## DIMENSIONS AND APPEARANCE



## WIRING DIAGRAM

### Dimming & CCT



### Only Dimming

