

Ceiling Bluetooth Passive Infrared sensor



GEBC Bluetooth®



OVERVIEW

BRI-DT301P-BLE-GE is a ceiling mounted PIR sensor, which uses digital passive infrared (PIR) technology for improved detection coverage for ceiling mount applications. It utilizes a Bluetooth® Low Energy (BLE) mesh network. This device communicates wirelessly via Bluetooth Mesh technology allowing for wireless control of luminaires.

FEATURES & SPECIFICATIONS

Construction

- BRI-DT301P-BLE-GE connects to a Bluetooth mesh network and is accessed via GEB CAPP.
- Portal for initial design, setup and scheduling, as well as subsequent parameter adjustments.
- Constructed of white PC

Electrical

- BRI-DT301P-BLE-GE utilizes a Bluetooth® Low Energy (BLE) mesh network.
- 360 degree PIR Motion sensor can be configured as an occupancy sensor. This device communicates wirelessly via Bluetooth Mesh technology allowing for wireless control of luminaires.

- Max Bluetooth® range is 130ft(40m) line of sight and highly dependent on the integration of fixtures, surrounding environment. It is recommended to conduct testing for range accuracy.
- Input Voltage | Load
120/230 (single phase)/277/347 VAC,
50/60 Hz
@120VAC, 800W Ballast/LED/Tungsten
@230VAC, 1200W Ballast/LED/Tungsten
@277VAC, 1200W Ballast/LED/Tungsten
@347VAC, 1500W Ballast/LED/Tungsten

Installation

- Ceiling Mounted. Mounting options: 4 square junction box with double gang mudring; 4 inch octagonal junction box.
- PIR Sensor Range: 1900ft² (180m²)

- PIR detection is 360° coverage pattern and it is best suited for areas with a clear line of sight and good air circulation.
- Operating temperature range of -20°C to +70°C.

Warranty

- 5 years warranty.

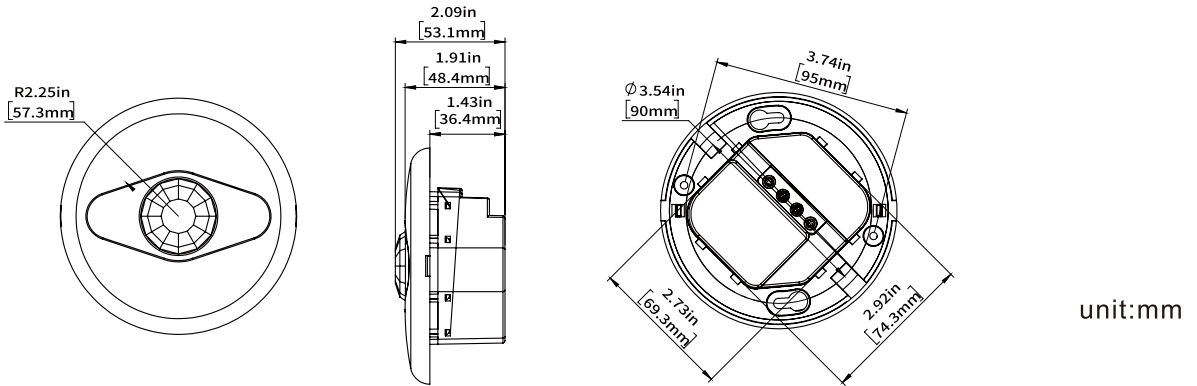
Listings

- FCC ID: 2AVMOGE01
- ETL
- cUL
- DLC
- Bluetooth®
- Declaration ID: D062134

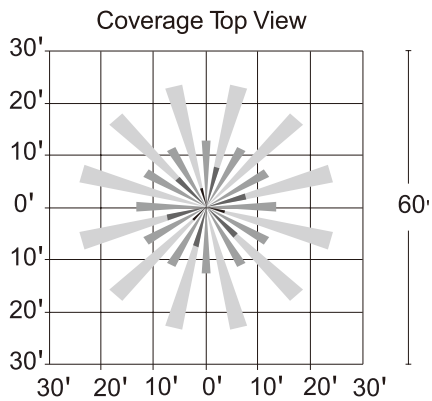
ORDERING GUIDE

Description	Part Number
Bluetooth Mesh Ceiling Mounted PIR Wireless Sensor	BRI-DT301P-BLE-GE

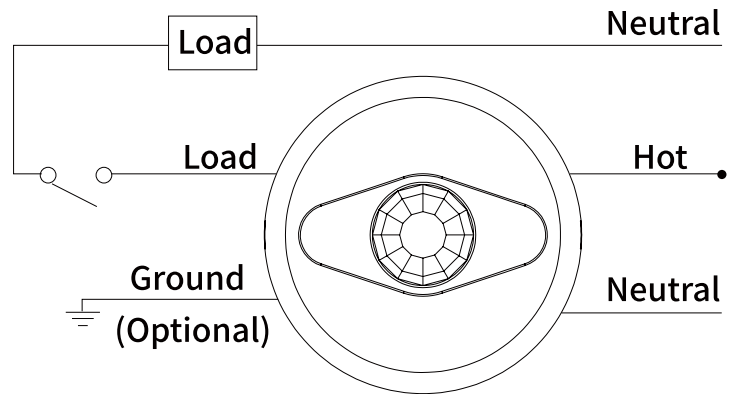
DIMENSIONS AND APPEARANCE



SENSOR COVERAGE



WIRING DIAGRAM



EXAMPLES

