

Bluetooth Plug Load Controller



GEBC Bluetooth®



OVERVIEW

BC-USUSB-101-3-GE is a 15A Plug Load Controller with GEBC module inside and can be controlled with GEBC APP, work together with other GEBC products. It is a perfect replacement for regular receptacles. It can be manually turned on/off, controlled by APP, switch, schedule or be grouped and linked with GEBC sensors.

It utilizes a Bluetooth® Low Energy (BLE) mesh network. Dimming levels and schedules can be set through GEBC iOS app.

FEATURES & SPECIFICATIONS

Construction

- BC-USUSB-101-3-GE is suitable for a variety of indoor applications. It comes with low voltage connector.
- Constructed of white/black PC.

Electrical

- BC-USUSB-101-3-GE utilizes a Bluetooth® Low Energy (BLE) mesh network. Dimming levels and schedules can be set through GEBC iOS app.
- Max Bluetooth® range is 100'(30m) line of sight and highly dependent on the integration of fixtures, surrounding environment. It is recommended to conduct testing for range accuracy.

- Input Voltage | Current Consumption:
Rated Current: 15A(Max)
Rated Voltage: AC125V-60Hz
Socket Outlet Output:
Max. 15A 125VAC 60Hz Resistive
USB Output: 5VDC Max. 2.1A
Wireless Frequency: 2.4GHz

Installation

- Operating Temperature:
-20°C to +70°C.
Storage Temperature:
-30°C to 85°C.

Warranty

- 5 years warranty.

Listings

- FCC
- ETL
- DLC
- Bluetooth®
- Declaration ID: D062134

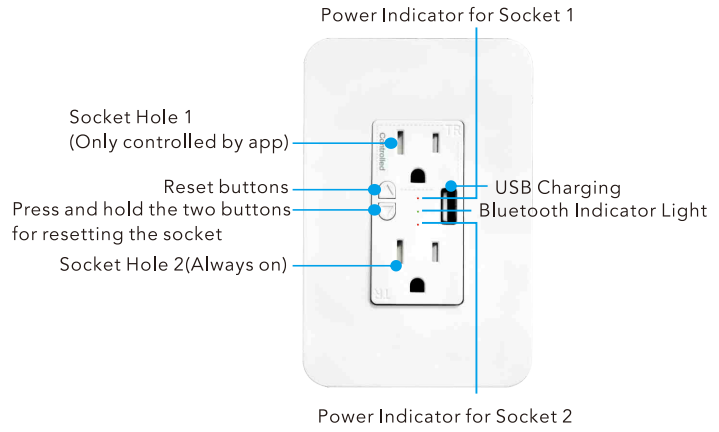
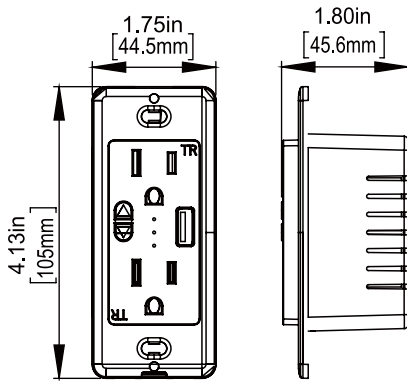
Note:

Bluetooth Range is highly dependent on the integration of fixtures, surrounding environment and conditions. It is recommended to conduct testing for range accuracy.

ORDERING GUIDE

Description	Part Number
Bluetooth Plug Load Controller	BC-USUSB-101-3-GE

DIMENSIONS AND APPEARANCE



WIRING DIAGRAM

